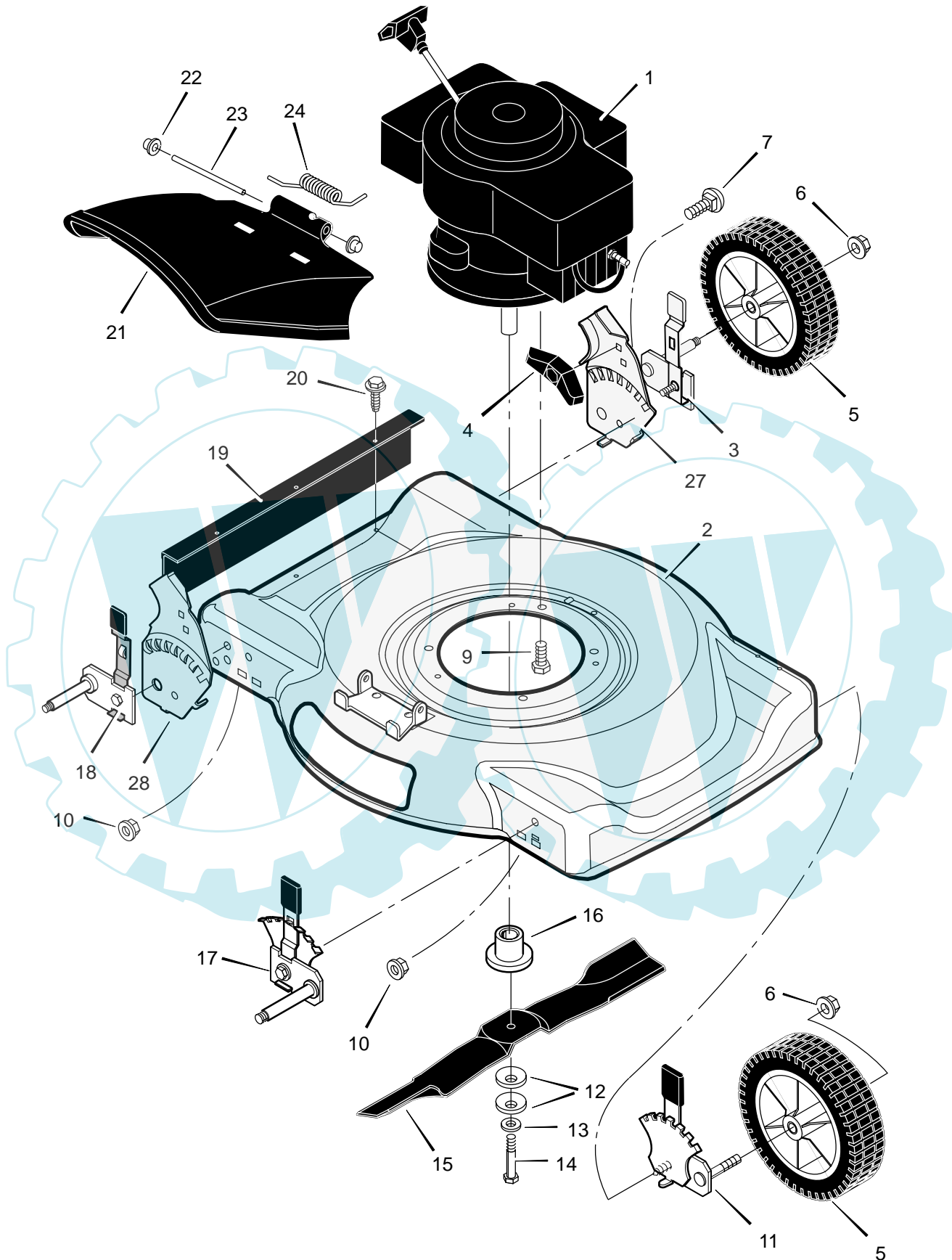


MODEL 220010x194NA

REPAIR PARTS
MOWER HOUSING ASSEMBLY



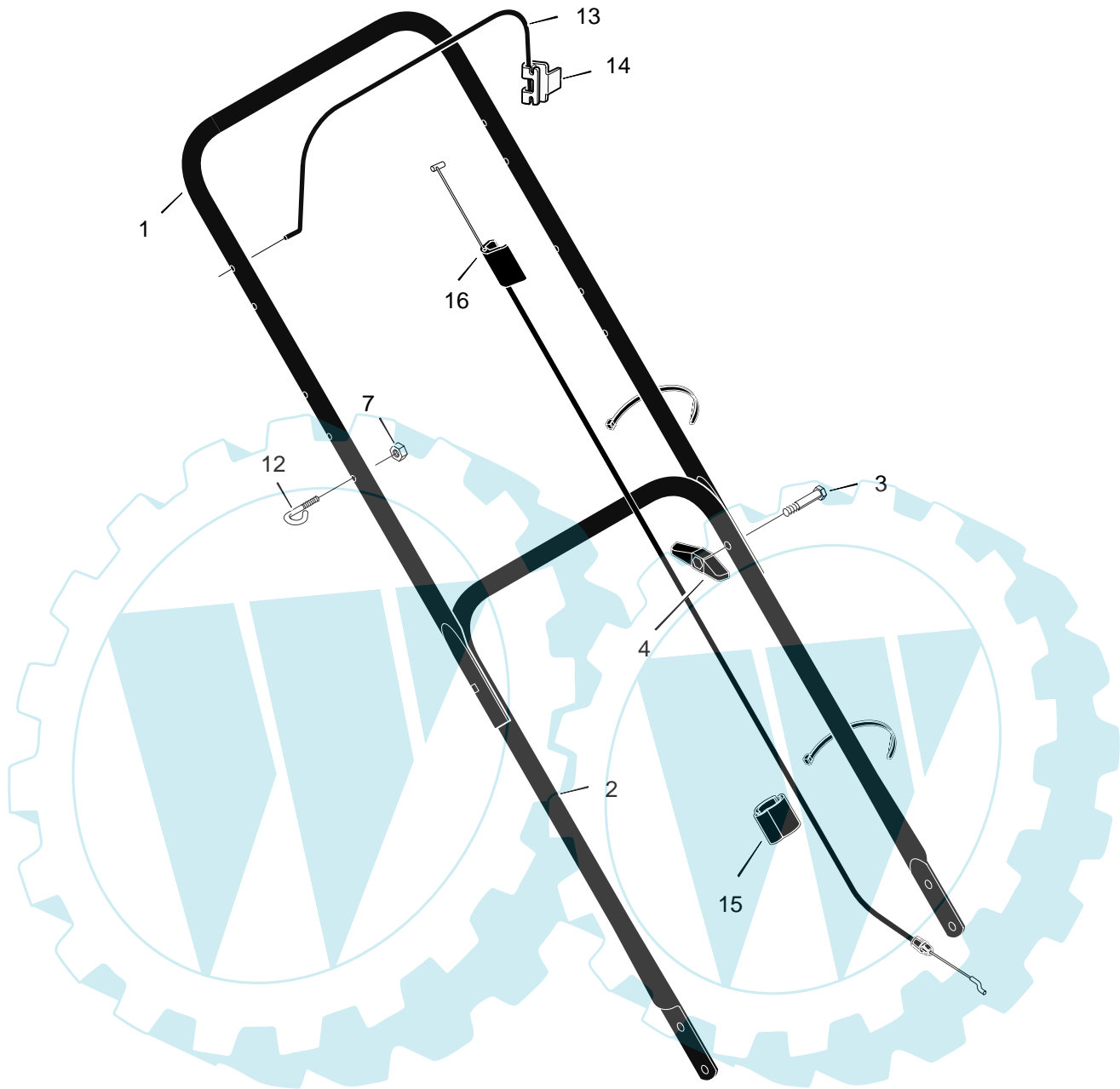
MODEL 220010x194NA

REPAIR PARTS MOWER HOUSING ASSEMBLY

KEY NO.	DESCRIPTION	PART NO.
1	Engine *	_____
2	Housing	776022
3	Height Adjuster, Left Rear	672637
4	Knob	071495
5	Wheel and Tire	020270
6	Locknut, Flange	015x84
7	Bolt, Carriage	002x81
9	Bolt, Engine	0025x6
10	Nut	015x68
11	Height Adjuster, Left Front	672635
12	Washer, Belleville	17x137
13	Washer	17x124
14	Bolt, Hex	01x142
15	Blade (3-N-1)	042225E701
16	Adapter, Blade	071056
17	Height Adjuster, Right Front	672634
18	Height Adjuster, Right Rear	672636
19	Guard, Rear	672738
20	Screw	26x245
21	Deflector, Chute	672421
22	Push-On Cap	028x42
23	Pin, Pivot	215x11 Z
24	Spring	0166x5
27	Bracket, Left Handle	1101303E245
28	Bracket, Right Handle	1101302E245
-	Warning 20/22 OPEI '98	48x4035
-	Cut Finger	48x4033
-	MURRAY 22/3.75	48x5019
-	Book, Instruction	F-030418C

MODEL 220010x194NA

**REPAIR PARTS
HANDLE ASSEMBLY**



KEY NO.	DESCRIPTION	PART NO.	KEY NO.	DESCRIPTION	PART NO.
1	Handle, Upper (Black)	1101556E701	12	Guide, Rope	071530
2	Handle, Lower (Black)	071137E701	13	Engine Stop Lever	043653E701
3	Bolt	002x77	14	Bracket, Stop Lever	1101454
4	Knob, Plastic	071294	15	Fastener, Cable	1101353
7	Locknut	15x116	16	Engine Stop Cable	672840